

## SLEEVE TYPE SOFT SEALING PLUG VALVE ACC. TO ANSI 美标卡套软密封旋塞阀

### PRODUCT STRUCTURAL FEATURES 产品结构特点:

Sleeve type soft sealing plug valve acc. to ANSI is applicable to the cutting and connection of pipelines medium that are used in various industries such as petroleum, chemical industry, pharmacy, chemical fertilizer, power industry etc under nominal pressure of CLASS150~900LBS, and working temperature of -29~180°C.

美标卡套式软密封旋塞阀适用于公称压力CLASS150~900LBS, 工作温度-29°C~180°C的石油、化工、制药、化肥、电力行业等各种工况的管路上, 切断或接通管路介质。

### MAIN STRUCTURAL FEATURES 其主要结构特点:

- 1、The product has reasonable structure, reliable sealing, excellent performance and beautiful appearance.
- 2、Its sealing is realized by the sealing face around the sleeve. It has unique 360 degree metal edge for protection and fixing of the Sleeve.
- 3、There is no cavity in the valve for accumulation of medium.
- 4、Metal edge provides the function of self-cleaning when the plug is rotated, applicable to the operation condition that is glutinous and apt to smudge.
- 5、Its characteristic double-direction flow makes installation and use more Convenient.
- 6、The materials of the parts and sizes of flanges can be reasonably configured according the actual operation condition of the requirements of the customers, so as to meet the various needs of engineering.

- 1、产品结构合理、密封可靠、性能优良、造型美观。
- 2、它的密封性是通过卡套四周的密封面来实现的。独特的360°金属唇边保证固定卡套。
- 3、阀门没有空腔给介质积聚。
- 4、金属唇边在旋转时提供自洁的作用, 适合于粘稠和易结垢的工况。
- 5、双向流动, 安装使用更方便。
- 6、零件材质及法兰尺寸可根据实际工况或用户要求合理选配, 满足各种工程需要。

### TECHNICAL SPECIFICATION 技术规范:

结构形式 Structural formation	BC
驱动方式 Driving manner	手柄、蜗轮蜗杆传动、气动、电动 Wrench wheel, worm & worm gear、pneumatic, electric-actuated
设计标准 Design standard	API 599、API 6D
结构长度 Face to face	ASME B16.10
连接法兰 Flange ends	ASME B16.5
试验和检验 Test & inspection	API 598、API 6D

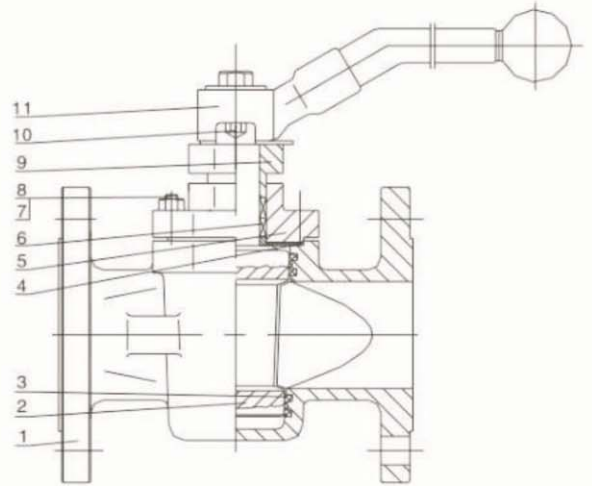
※注: 阀门的连接法兰尺寸可根据用户要求设计制造。

Note: the size of serial valve connecting flange can be designed according to customers' requirement.

### PRODUCTS PERFORMANCE SPECIFICATION 产品性能规范:

公称压力(LB) Nominal pressure	壳体试验压力(MPa) Shell test	密封试验压力(MPa) Sealing test	适用温度(°C) Suitable temp.	适用介质 Suitable medium
150	3.0	2.2	≤120°C/200°C	水、蒸汽、天然气、油品等 Water、Steam、Gas & Oil
300	7.5	5.5		
600	15.0	11.0		
900	22.5	16.5		
1500	37.5	63.0		

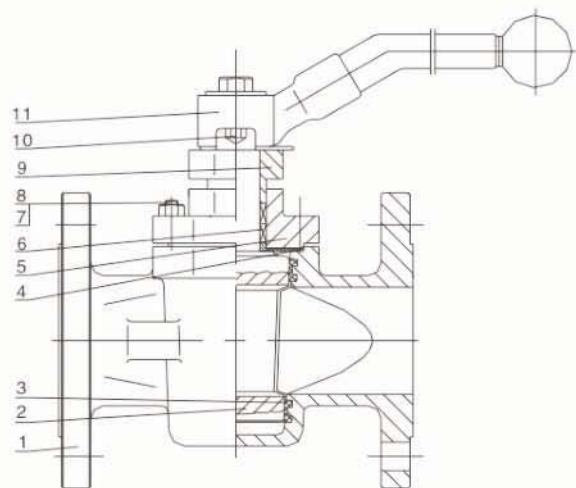
## SLEEVE TYPE SOFT SEALING PLUG VALVE ACC. TO ANSI 美标卡套软密封旋塞阀



### MAIN PARTS MATERIALS 主要零部件材质:

序号NO.	名称Part name	材质Material
1	阀体Body	ASTM A216-WCB
2	旋塞Plug	ASTM A351-CF8
3	卡套 Sleeve (阀座 Seat)	聚四氟乙烯 PTFE
4	中道垫片 Gasket	聚四氟乙烯 PTFE
5	阀盖 Cover	ASTM A216-WCB
6	填料 Packing	聚四氟乙烯 PTFE
7	螺栓 Bolt	ASTM A193-B7
8	螺母 Nut	ASTM A194-2H
9	填料压盖 Gland	ASTM A216-WCB
10	调整螺栓 Adjusting gasket	ASTM A193-B7
11	手柄 Wrench	ASTM A216-WCB

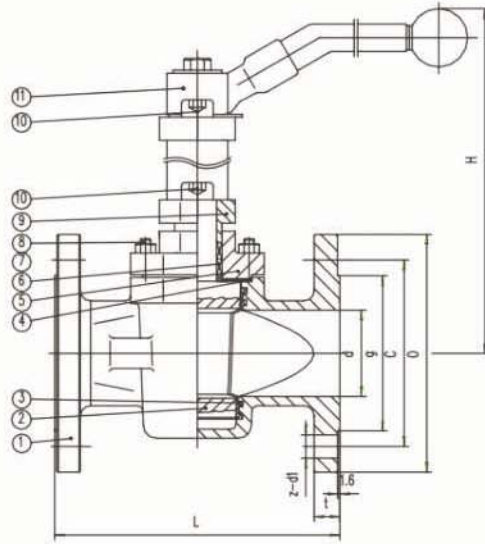
## SLEEVE TYPE SOFT SEALING PLUG VALVE ACC. TO ANSI 美标卡套软密封旋塞阀



### MAIN PARTS MATERIALS 主要零部件材质:

序号NO.	名称Part name	材质Material
1	阀体 Body	ASTM A352-LCB
2	旋塞 Plug	ASTM A351-CF8M
3	卡套 Sleeve (阀座 Seat)	聚四氟乙烯 PTFE
4	中道垫片 Gasket	聚四氟乙烯 PTFE
5	阀盖 Cover	ASTM A352-LCB
6	填料 Packing	聚四氟乙烯 PTFE
7	螺栓 Bolt	ASTM A320-L7
8	螺母 Nut	ASTM A194-4
9	填料压盖 Gland	ASTM A352-LCB
10	调整螺栓 Adjusting gasket	ASTM A320-L7
11	手柄 Wrench	ASTM A216-WCB

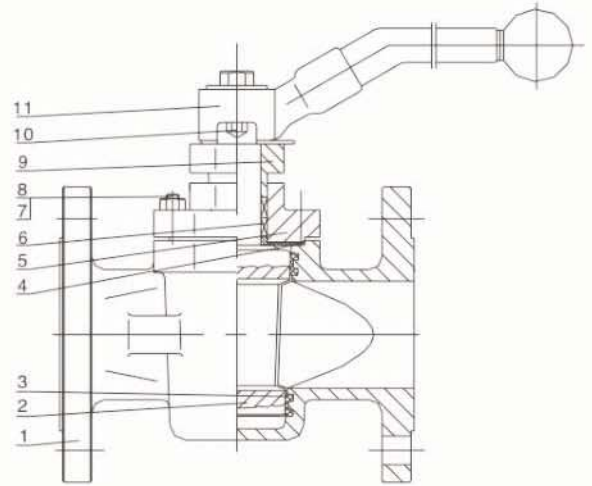
## SLEEVE TYPE SOFT SEALING PLUG VALVE ACC. TO ANSI 美标卡套软密封旋塞阀



### MAIN PARTS MATERIALS 主要零部件材质:

序号NO.	名称Part name	材质Material
1	阀体Body	ASTM A216-WCB
2	旋塞Plug	ASTM A351-CF8M
3	卡套 Sleeve (阀座 Seat)	PPL
4	中道垫片 Gasket	SS304+ 柔性石墨
5	阀盖 Cover	ASTM A216-WCB
6	填料 Packing	柔性石墨
7	螺栓 Bolt	ASTM A193-B7
8	螺母 Nut	ASTM A194-2H
9	填料压盖 Gland	ASTM A216-WCB
10	调整螺栓 Adjusting gasket	ASTM A193-B7
11	手柄 Wrench	ASTM A216-WCB

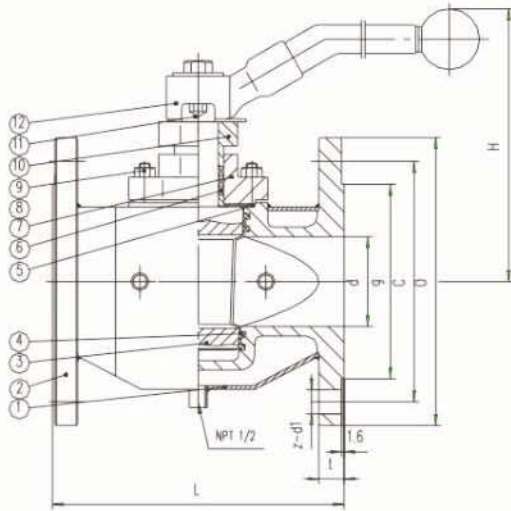
## SLEEVE TYPE SOFT SEALING PLUG VALVE ACC. TO ANSI 美标卡套软密封旋塞阀



### MAIN PARTS MATERIALS 主要零部件材质:

序号NO.	名称Part name	材质Material
1	阀体 Body	ASTM A351-CF8M
2	旋塞 Plug	ASTM A351-CF8M
3	卡套 Sleeve (阀座 Seat)	聚四氟乙烯 PTFE
4	中道垫片 Gasket	聚四氟乙烯 PTFE
5	阀盖 Cover	ASTM A351-CF8M
6	填料 Packing	聚四氟乙烯 PTFE
7	螺栓 Bolt	ASTM A193-B8
8	螺母 Nut	ASTM A194-8
9	填料压盖 Gland	ASTM A351-CF8
10	调整螺栓 Adjusting gasket	ASTM A193-B8
11	手柄 Wrench	ASTM A216-WCB

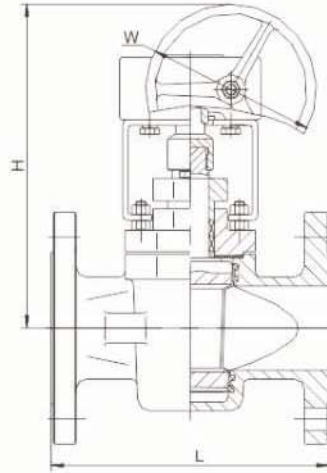
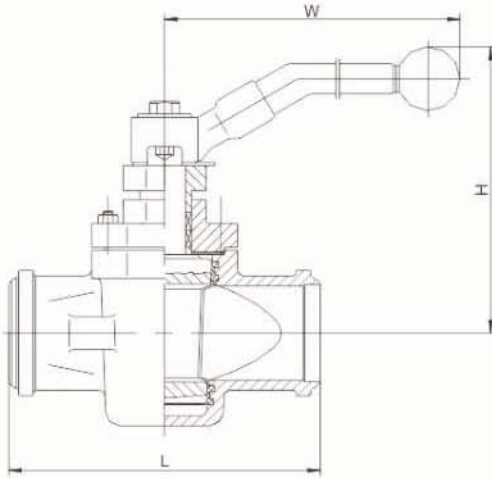
## SLEEVE TYPE SOFT SEALING PLUG VALVE ACC. TO ANSI 美标卡套软密封旋塞阀



### MAIN PARTS MATERIALS 主要零部件材质:

序号NO.	名称 Part name	材质 Material
1	夹套 Jocket	CS
2	阀体 Body	A216-WCB
3	旋塞 Plug	A351-CF8
4	阀座 Seat	PTFE
5	垫片 Gasket	PTFE
6	填料 Packing	PTFE
7	阀盖 Bonnet	A216-WCB
8	螺母 Nut	A194-2H
9	螺栓 Bolt	A193-B7
10	压板 Gland flange	A216-WCB
11	调整螺栓 Adjust bolt	A193-B7
12	手柄 Wrench	A216-WCB

## SLEEVE TYPE SOFT SEALING PLUG VALVE ACC. TO ANSI 美标卡套软密封旋塞阀



型号 Model		X343F/X43F-150LB														
口径 Size	mm	15	20	25	32	40	50	65	80	100	125	150	200	250	300	350
	in	1/2	3/4	1	1 1/4	1 1/2	2	2 1/2	3	4	5	6	8	10	12	14
L		108	117	127	140	165	178	190	203	229	254	267	292	330	356	381
H		110	115	115	135	140	150	165	180	380	460	520	580	620	680	760
W		175	175	175	220	280	305	350	405	300	300	320	320	350	380	450
重量(Kg)Weight		8.5	9.5	10.5	12	14	18	22	26	40	60	70	130	219	381	570

型号 Model		X343F/X43F-300LB														
口径 Size	mm	15	20	25	32	40	50	65	80	100	125	150	200	250	300	350
	in	1/2	3/4	1	1 1/4	1 1/2	2	2 1/2	3	4	5	6	8	10	12	14
L		140	152	165	178	190	216	241	283	305	381	403	419	457	502	762
H		110	115	115	135	140	150	165	180	380	460	502	580	620	680	760
W		175	175	175	220	280	305	350	405	300	300	320	320	350	380	450
重量(Kg)Weight		9.5	10.5	12	14	16	20	24	29	53	75	85	185	230	390	550

型号 Model		X343F/X43F-600LB														
口径 Size	mm	15	20	25	32	40	50	65	80	100	125	150	200	250	300	350
	in	1/2	3/4	1	1 1/4	1 1/2	2	2 1/2	3	4	5	6	8	10	12	14
L		165	190	216	229	241	292	330	356	432	508	559	660	787	838	889
H		110	115	115	135	140	150	165	180	380	460	520	580	620	680	760
W		175	175	175	220	280	305	350	405	300	300	320	320	350	380	450
重量(Kg)Weight		11	13	17	20	23	27	31	36	72	98	141	245	330	515	710

型号 Model		X343F/X43F-900LB														
口径 Size	mm	15	20	25	32	40	50	65	80	100	125	150	200	250	300	350
	in	1/2	3/4	1	1 1/4	1 1/2	2	2 1/2	3	4	5	6	8	10	12	14
L		216	229	254	279	305	368	419	381	457	559	610	737	838	965	1029
H		110	115	115	135	140	150	165	180	380	460	520	580	620	680	760
W		175	175	175	220	280	305	350	405	300	300	320	320	350	380	450
重量(Kg)Weight		13	16	21	24	28	32	40	47	91	117	165	285	420	610	860

※注：四寸及以上为蜗杆轮操作4" or above with worm gear

## SLEEVE TYPE SOFT SEALING PLUG VALVE ACC. TO DIN 德标卡套软密封旋塞阀

### PRODUCT STRUCTURAL FEATURES 产品结构特点:

Sleeve type soft sealing plug valve acc. to DIN is applicable to the cutting and connection of pipelines medium that are used in various Industries such as petroleum, chemical industry, pharmacy, chemical fertilizer, power industry etc under nominal pressure of PN1.6~16MPa and working temperature of -29°C ~ 180°C.

德标卡套软密封旋塞阀适用于公称压力PN1.6~16MPa, 工作温度-29~180°C的石油、制药、化肥、电力行业等各种工况的管路上, 切断或接通管路介质。

### MAIN STRUCTURAL FEATURES 其主要结构特点:

- 1、The product has reasonable structure, reliable sealing, excellent performance and beautiful appearance.
- 2、Its sealing is realized by the sealing face around the sleeve. It has unique 360 degree metal edge for protection and fixing of the Sleeve.
- 3、There is no cavity in the valve for accumulation of medium.
- 4、Metal edge provides the function of self-cleaning when the plug is rotated, applicable to the operation condition that is glutinous and apt to smudge.
- 5、Its characteristic double-direction flow makes installation and use more Convenient.
- 6、The materials of the parts and sizes of flanges can be reasonably configured according to the actual operation condition of the requirements of the customers, so as to meet the various needs of engineering.

- 1、产品结构合理、密封可靠、性能优良、造型美观。
- 2、它的密封性是通过卡套四周的密封面来实现的。独特的360° 金属唇边保证固定卡套。
- 3、阀门没有空腔给介质积聚。
- 4、金属唇边在旋转时提供自洁的作用, 适合于粘稠和易结垢的工况。
- 5、双向流动, 安装使用更方便。
- 6、零件材质及法兰尺寸可根据实际工况或用户要求合理选配, 满足各种工程需要。

### TECHNICAL SPECIFICATION 技术规范:

结构形式 Structural formation	BC
驱动方式 Driving manner	手柄、蜗轮蜗杆传动、气动、电动 Wrench wheel, worm & worm gear, pneumatic, electric-actuated
设计标准 Design standard	API 599、API 6D
结构长度 Face to face	EN 558 F1/F4/F5
连接法兰 Flange ends	EN1092
试验和检验 Test & inspection	DIN 3230

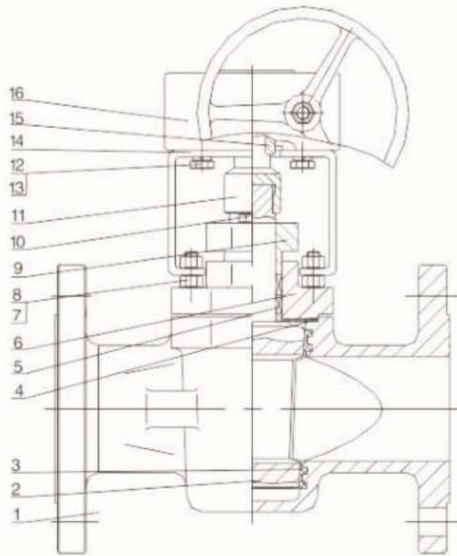
※注: 阀门的连接法兰尺寸可根据用户要求设计制造。

Note: the size of serial valve connecting flange can be designed according to customers' requirement.

### PRODUCTS PERFORMANCE SPECIFICATION 产品性能规范:

公称压力(MPa) Nominal pressure	壳体试验压力(MPa) Shell test	密封试验压力(MPa) Sealing test	适用温度(°C) Suitable temp.	适用介质 Suitable medium
1.6	2.4	1.76	≤ 120°C/200°C	水、蒸汽、油品等 Water oil & gas
2.5	3.75	2.75		
4.0	6.0	4.4		
6.4	9.6	7.04		
10.0	15.0	11.0		
16.0	24.0	17.6		

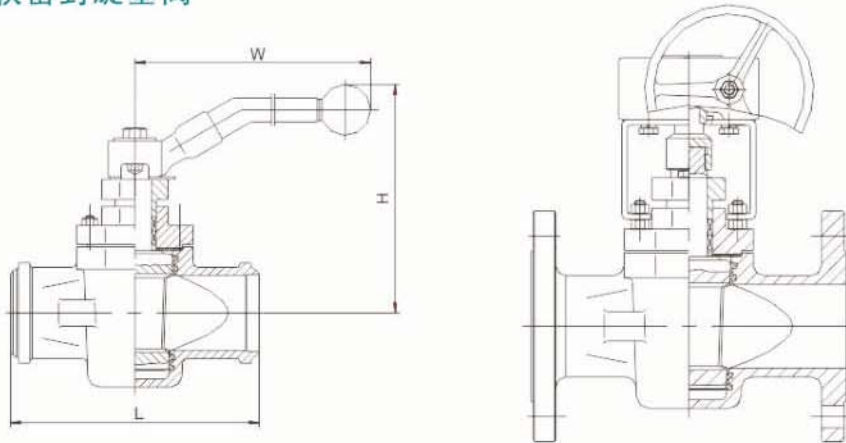
## SLEEVE TYPE SOFT SEALING PLUG VALVE ACC. TO DIN 德标卡套软密封旋塞阀



### MAIN PARTS MATERIALS 主要零部件材质:

序号NO.	名称 Part name	材质 Material
1	阀体 Body	ASTM A216-WCB
2	旋塞 Plug	ASTM A351-CF8
3	卡套 Sleeve (阀座 Seat)	聚四氟乙烯 PTFE
4	中道垫片 Gasket	聚四氟乙烯 PTFE
5	填料 Packing	聚四氟乙烯 PTFE
6	阀盖 Cover	ASTM A216-WCB
7	螺栓 Bolt	ASTM A193-B7
8	螺母 Nut	ASTM A194-2H
9	压盖 Gland	ASTM A216-WCB
10	螺栓 Bolt	ASTM A193-B7
11	连接套 Connect jacket	AISI 1045
12	螺栓 Bolt	ASTM A193-B7
13	垫片 Gasket	AISI 1066
14	支架 Yoke	ASTM A216-WCB
15	键 Key	AISI 1045
16	蜗轮 Worm	ASTM A536 60-40-18+other

## SLEEVE TYPE SOFT SEALING PLUG VALVE ACC. TO DIN 德标卡套软密封旋塞阀



型号 Model	X343F/X43F-16														
口径 Size	15	20	25	32	40	50	65	80	100	125	150	200	250	300	350
L	130	150	160	180	200	230	290	310	350	400	480	600	730	850	980
H	150	155	160	180	190	200	220	230	380	460	520	580	620	680	740
W	300	300	300	350	400	500	500	550	300	300	320	320	350	380	380
重量(Kg)Weight	9	10	11	13	14	19	23	27	43	62	75	155	222	390	580
型号 Model	X343F/X43F-25														
口径 Size	15	20	25	32	40	50	65	80	100	125	150	200	250	300	350
L	130	150	160	180	200	230	290	310	350	400	480	600	730	850	980
H	150	155	160	180	190	200	220	230	380	460	520	580	620	680	740
W	300	300	300	350	400	500	500	550	300	300	320	320	350	380	380
重量(Kg)Weight	10	11	13	15	17	22	31	55	77	88	190	190	235	399	680
型号 Model	X343F/X43F-40														
口径 Size	15	20	25	32	40	50	65	80	100	125	150	200	250	300	350
L	130	150	160	180	200	230	290	310	350	400	480	600	730	850	980
H	150	155	160	180	190	200	220	230	380	460	520	580	620	680	740
W	300	300	300	350	400	500	500	550	300	300	320	320	350	380	380
重量(Kg)Weight	12	14	18	21	24	29	33	39	75	103	146	251	337	521	720
型号 Model	X343F/X43F-64														
口径 Size	15	20	25	32	40	50	65	80	100	125	150	200	250	300	350
L	130	150	160	180	200	230	290	310	350	400	480	600	730	850	980
H	150	155	160	180	190	200	220	230	380	460	520	580	620	680	740
W	300	300	300	350	400	500	500	550	300	300	320	320	350	380	380
重量(Kg)Weight	14	17	22	25	29	22	43	50	94	123	170	291	430	625	675

※注：四寸及以上为蜗杆轮操作4" or above with worm gear